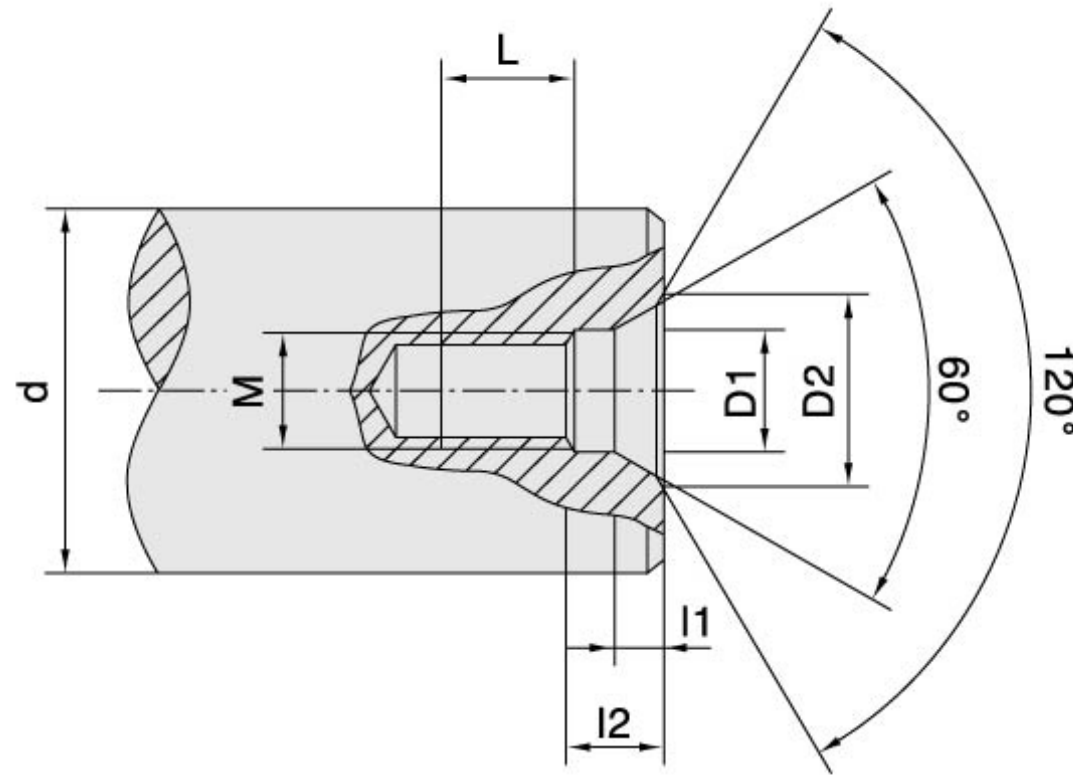


出轴/入轴轴端螺纹孔:

Screw hole in shaft end:

R、S、K、F、T、JW、H、B、P、RV轴端单螺孔(C型带螺纹的中心孔):

R、S、K、F、T、JW、H、B、P、RV series' s single screw hole in shaft end (C screw hole):



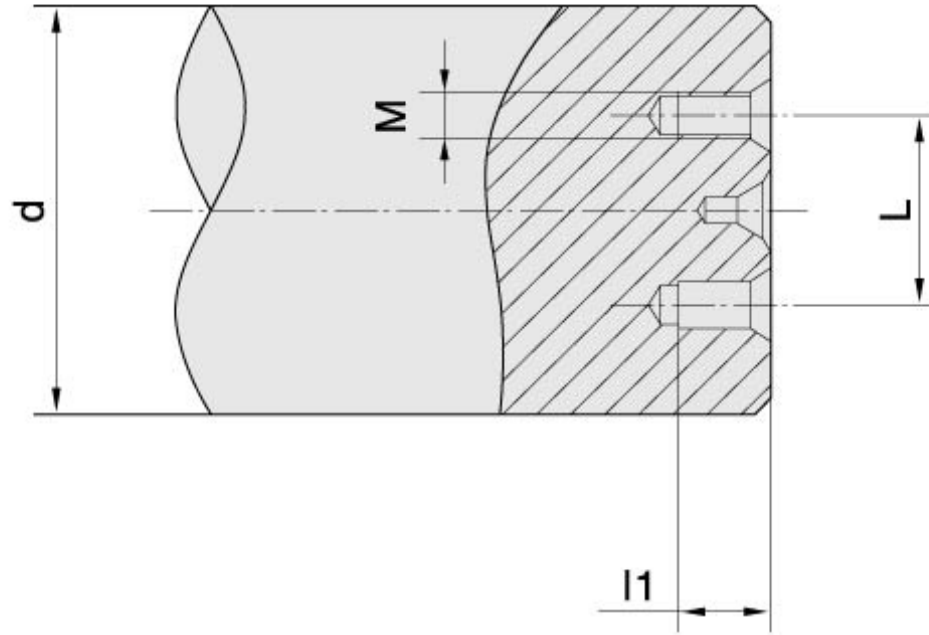
d	M	L	l2	l1	D1	D2
$7 < d \leq 10$	M3	10	2.6	1.8	3.2	5.8
$10 < d \leq 13$	M4	10	3.2	2.1	4.3	7.4
$13 < d \leq 16$	M5	10	4	2.4	5.3	8.8
$16 < d \leq 21$	M6	12	5	2.8	6.4	10.5
$21 < d \leq 24$	M8	12	6	3.3	8.4	13.2
$24 < d \leq 30$	M10	15	7.5	3.8	10.5	16.3
$30 < d \leq 38$	M12	20	9.5	4.4	13	19.8
$38 < d \leq 50$	M16	25	12	5.2	17	25.3
$50 < d \leq 85$	M20	30	15	6.4	21	31.3
$85 < d \leq 130$	M24	35	18	8	25	38
$130 < d \leq 225$	M30	45	18	11	31	48
$225 < d \leq 320$	M36	55	22	15	37	60
$320 < d \leq 500$	M42	60	26	19	43	71
$500 < d \leq 710$	M48	65	30	23	49	83

注: 轴端双螺纹孔时, 订货时需特殊说明。

Note: If two holes in shaft-end are necessary, please make a specification for it when placing an order.

轴端双螺孔:

Double screw holes in shaft end:



轴端双螺孔 Double screw hole in shaft end				轴端双螺孔 Double screw hole in shaft end			
d	M	l1	L	d	M	l1	L
40 < d ≤ 45	M8	12	20	150 < d ≤ 165	M12	20	120
45 < d ≤ 50	M8	12	22	165 < d ≤ 180	M16	28	130
50 < d ≤ 60	M10	18	26	180 < d ≤ 210			160
60 < d ≤ 70			36	210 < d ≤ 230			160
70 < d ≤ 80			50	230 < d ≤ 280	180		
80 < d ≤ 100			60	280 < d ≤ 290	190		
100 < d ≤ 110			70	290 < d ≤ 310	220		
110 < d ≤ 120	M12	20	80	310 < d ≤ 330	M24	45	230
120 < d ≤ 130			85	330 < d ≤ 340			240
130 < d ≤ 140			90	d > 340			250
140 < d ≤ 150			110				

注: 轴端双螺孔时, 订货时需特殊说明。

Note: If two holes in shaft-end are necessary, please make a specification for it when placing an order.